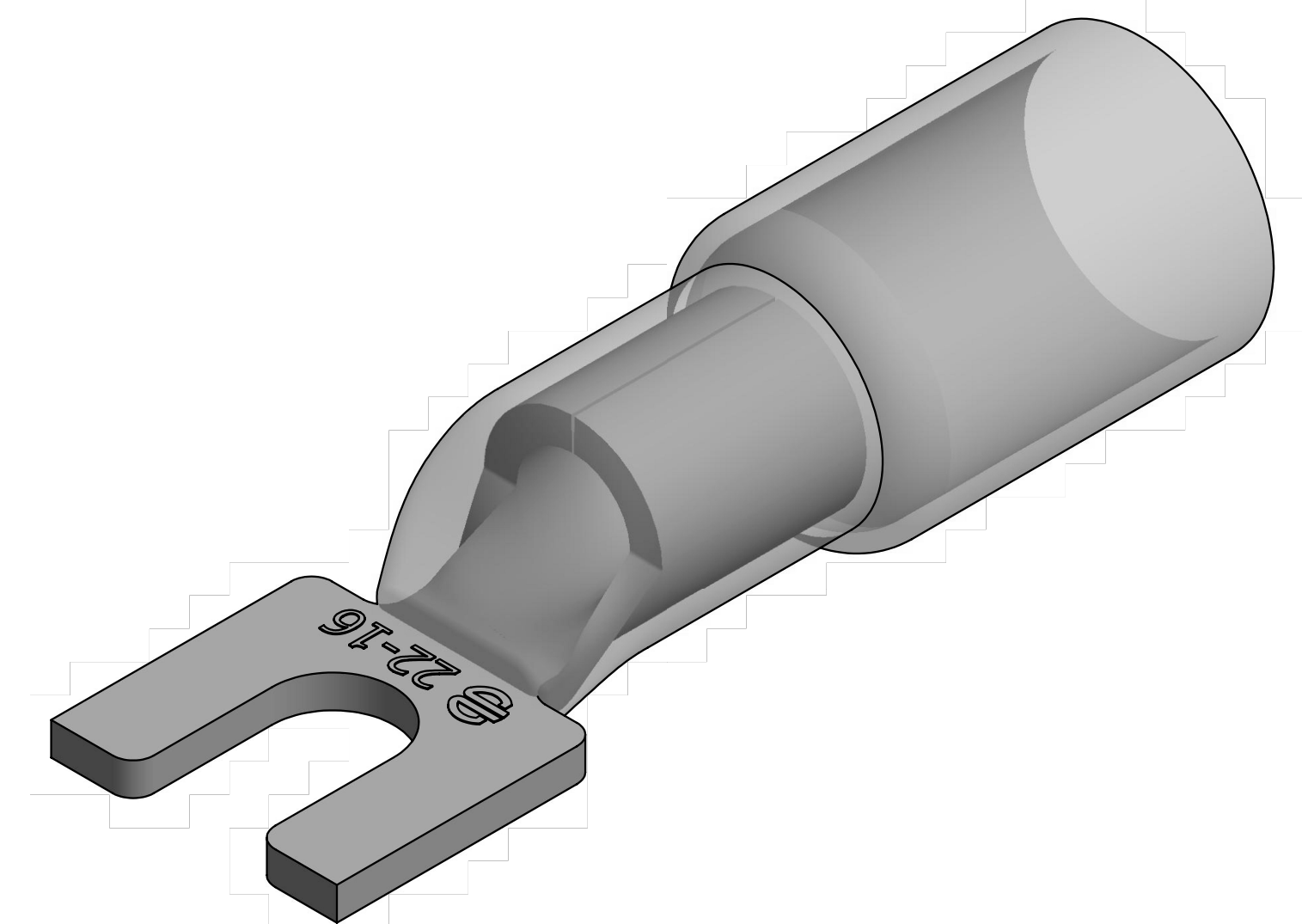
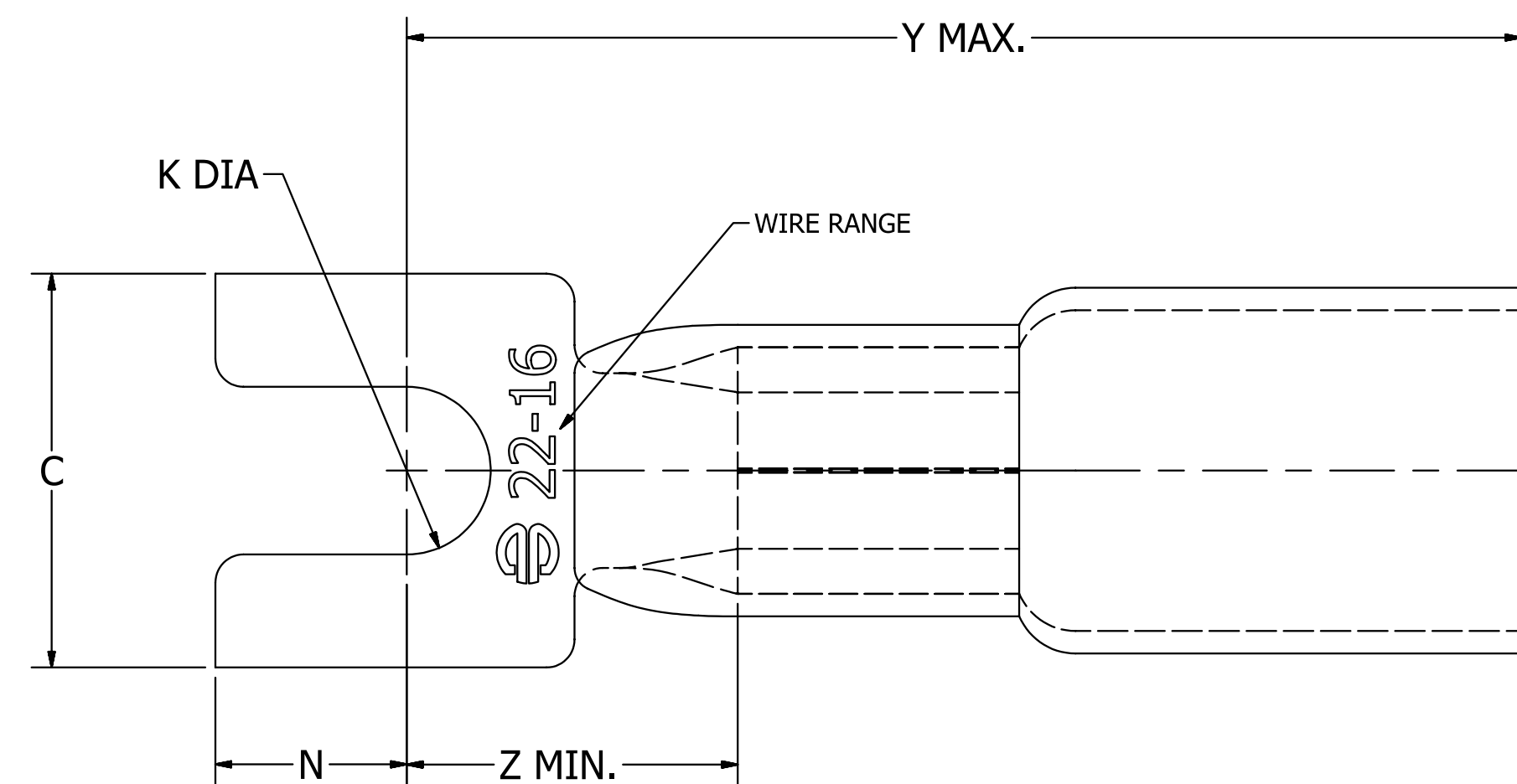
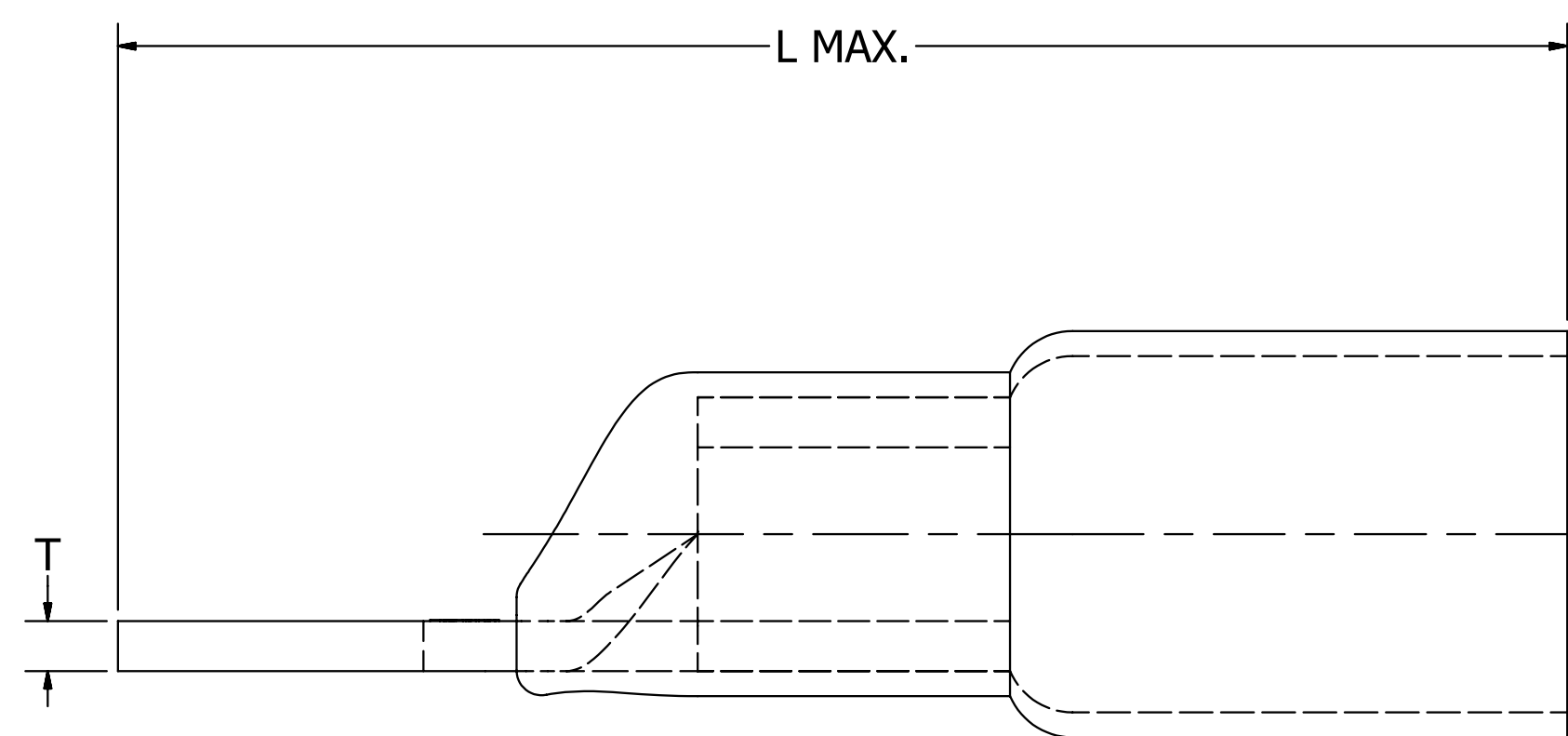


WIRE SIZE (AWG)	STUD SIZE	CATALOG NUMBER (100/bag)	CATALOG NUMBER (20/bag)	C		K		L MAX.	N		T ± .01 [± .25]	Y MAX.	Z MIN.	MAX. WIRE INSUL. DIA. ACCOM.	WIRE STRIP LENGTH ± .03 [± .8]	COLOR CODE	INSTALLATION TOOLING (ONE CRIMP)		
				MAX.	MIN.	MAX.	MIN.		MAX.	MIN.									
22-18 Str. and Sol.	6	YHSA18K6F	YHSA18K6FRK	.28 [7.1]	.22 [5.6]	.15 [3.8]	.14 [3.6]	1.20 [30.5]	.35 [8.9]	.29 [7.4]	.03 [.8]	.91 [23.1]	.29 [7.4]	.16 [4.2]		RED	MR22		
	8	YHSA18K8F	YHSA18K8FRK	.34 [8.6]	.28 [7.1]	.18 [4.5]	.16 [4.1]		.30 [7.6]	.24 [6.1]		.96 [24.4]							
	10	YHSA18K10F	YHSA18K10FRK			.23 [5.8]	.19 [4.8]		.30 [7.6]	.24 [6.1]		.96 [24.4]							
16-14 Str. and Sol.	6	YHSA14K6F	YHSA14K6FRK	.28 [7.1]	.22 [5.6]	.15 [3.8]	.14 [3.6]	1.44 [36.6]	.33 [8.4]	.27 [6.9]	.04 [1.0]	.93 [23.6]	.27 [6.9]	.18 [4.7]	5/16" [7.9]	BLUE	MR22		
	8	YHSA14K8F	YHSA14K8FRK	.37 [9.4]	.31 [7.9]	.18 [4.5]	.16 [4.1]		.30 [7.6]	.24 [6.1]		.96 [24.4]							
	10	YHSA14K10F	YHSA14K10FRK			.23 [5.8]	.19 [4.8]		.30 [7.6]	.24 [6.1]		.96 [24.4]							
	1/4"	-	YHSA14K14FRK	.50 [12.7]	.44 [11.2]	.28 [7.1]	.26 [6.6]		.33 [8.4]	.27 [6.9]		1.17 [29.7]						.44 [11.2]	
12-10 Str. and Sol.	6	YHSA10K6F	-	.38 [9.7]	.32 [8.1]	.15 [3.8]	.14 [3.6]	1.20 [30.5]	.32 [8.1]	.26 [6.6]	.04 [1.0]	.94 [23.9]	.26 [6.7]	.24 [6.0]		YELLOW	MR22		
	8	YHSA10K8F	YHSA10K8FRK			.18 [4.5]	.16 [4.1]		.30 [7.6]	.24 [6.1]		.96 [24.4]							
	10	YHSA10K10F	YHSA10K10FRK			.40 [10.2]	.34 [8.6]		.23 [5.8]	.19 [4.8]		.30 [7.6]						.24 [6.1]	.96 [24.4]
	1/4"	-	YHSA10K14FRK			.50 [12.7]	.44 [11.2]		.28 [7.1]	.26 [6.6]		.33 [8.4]						.27 [6.9]	1.17 [29.7]

REV	DATE	DESCRIPTION	ECO	BY	C'H'K.
A	16/10/2018	NEW DRAWING CREATION	50117	RB	VS



NOTES:

1. TERMINAL: TIN PLATED COPPER
2. INSULATION: HEAT SHRINK
3. DIMENSIONS IN BRACKETS [] ARE IN MILLIMETERS AND ARE FOR REFERENCE ONLY.
4. WIRE CONNECTOR:
 MINIMUM SHRINK TEMPERATURE: 135°C
 OPERATING TEMPERATURE RANGE: -55°C TO 110°C

TO ORDER BURNDY® PRODUCTS CALL		HYDENT	
UNITED STATES 1-800-346-4175 (LONDONDERRY, NH)		ITEM NO: SEE TABLE	
CANADA: 1-800-361-6975 (QUEBEC) 1-800-387-6487 (ALL OTHER PROVINCES)		CAT. NO: TYPE YHSA-F	
FOR PRODUCT INFO: http://www.burndy.com		DRAWN BY: RBABU 16-10-2018	
		CHECKER: V.SAKTHIVEL 16-10-2018	
		DSN APRVL: K.CASTONGUAY 17-10-2018	
		MFG APRVL: --	
		QA APRVL: B.POST 16-10-2018	
		MKT APRVL: M.BAILLY 17-10-2018	
		PROD FAM: --	
		PROJECT #: --	
		DOCUMENT TYPE: SALES	
		REL LEVEL: Released	
		SIZE D	
		DRAWING NO 50094174	
		SHEET 1 OF 1	
			REV A